



exponent™

Tyl™ X2

part number 2000000455

POLE ASSEMBLY PARTS

Main Tent Poles (Silver)

Part No. 9830-1131

Brow Pole

Part No. 9830-1231

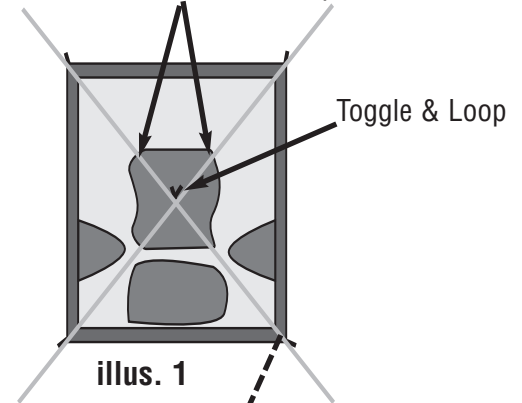
Rainfly

Part No. 9830-1331

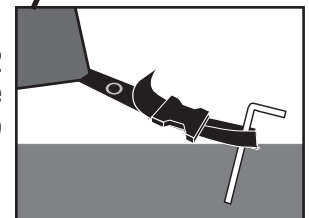
1 Layout & Positioning of Tent, Pole Assembly

- Layout and position tent with door facing desired direction. (illus. 1)
- For best results in windy conditions, position door or back of tent into the wind.
- Unzip door.
- Stake down tent corners. Keep the floor taut. (illus. 2)
- Assemble Frame Poles by interlocking the shock-corded sections. This will make two long silver poles.
- Lay the poles out diagonally, centered on the tent. The center of the poles should cross forming an "X" in the middle of tent. (illus. 1)
- Fasten toggle & loop on top of tent over both poles. (illus. 1), (illus. 3)

Attach center of the tent to the poles



illus. 2
Tent stake through Loop



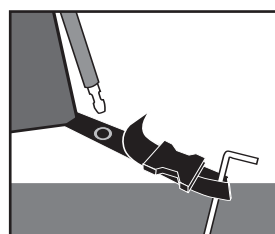
2 Connect Frame to Tent

- Insert one pole tip into the grommet on the webbing located at the corners of the tent (illus. 4).
- Go to opposite end of the same pole and gradually apply pressure to the pole, forming an arch, until you are able to insert the pole tip into the grommet.
- Repeat for second pole.

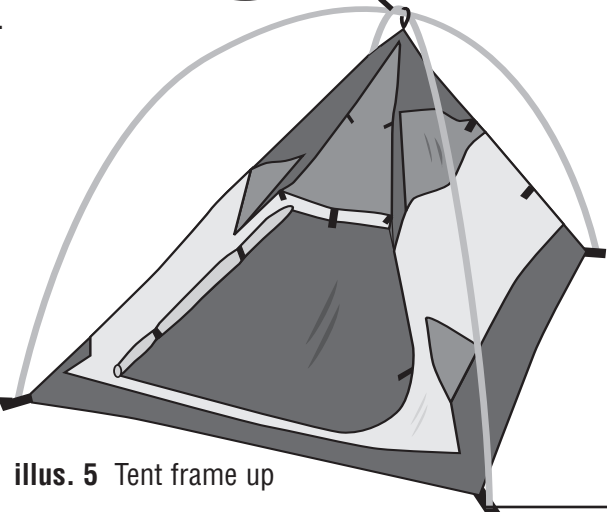


illus. 3
Toggle & Loop

illus. 4
Insert Pole Talon on stake loop into pole.

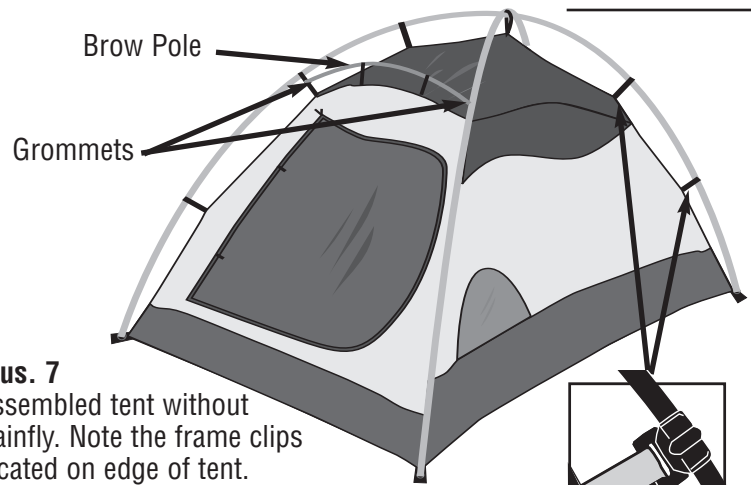


illus. 5 Tent frame up



3 Attach Tent to Frame Using Frame Clips Add Brow Pole

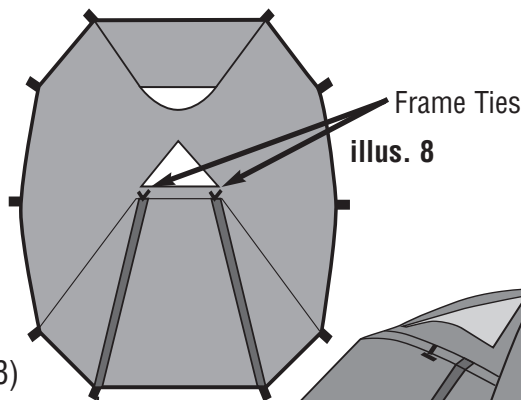
- Attach frame clips along the edges of tent to frame poles. (illus. 6), (illus. 7)
- Assembled Brow Pole by interlocking shock corded sections.
- Insert Brow Pole into the grommets on the pole clips above the door. (illus. 7)
- Connect the two frame clips above the door to the Brow Pole. (illus. 7)
- Make any adjustments to the tent corner stakes that are needed.



illus. 7
Assembled tent without Rainfly. Note the frame clips located on edge of tent.



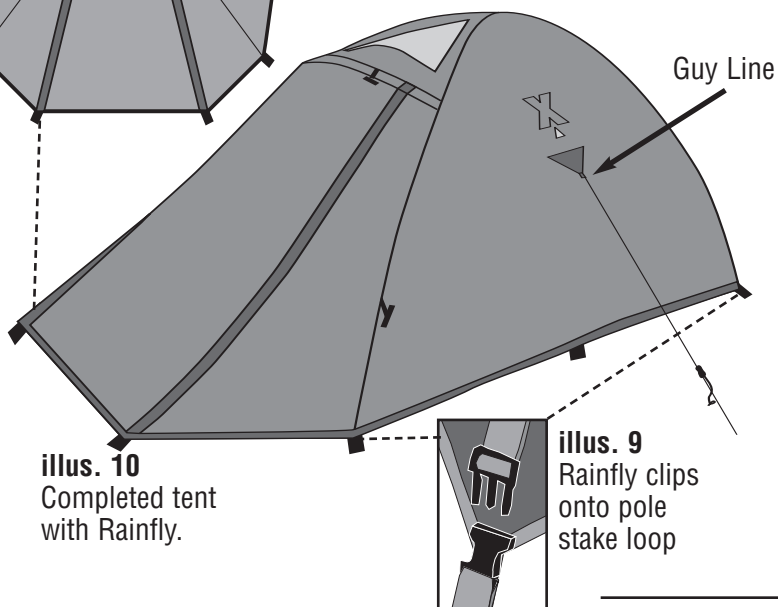
illus. 6
Frame Clips



illus. 8

4 Attach Rainfly

- Drape Rainfly over tent frame, with vestibule area over front door. (illus. 8)
- Connect the four clips (found at the Rainfly corners) to the clips located at the corners of the tent. (illus. 9)
- Stake out vestibule and rainfly sides.
- Secure Rainfly with Frame Ties located on underside of fly to Gold Brow Pole. (illus. 10)
- Attach Guy Lines to Guy Wing on the sides of the Rainfly and stake out (illus.10).



illus. 10
Completed tent with Rainfly.



illus. 9
Rainfly clips onto pole stake loop

Things You Should Know

- Under certain conditions (cold weather, high humidity, etc.) condensation will form on the inside surfaces of your tent. Condensation is caused by water vapor from your breath, perspiration, or any wet clothing inside your tent. It is NOT LEAKAGE through the tent fabric. It can be minimized by removing wet clothing from your tent and by providing good ventilation through the tent.
- Never store tent, even for a short period of time, without drying it thoroughly and brushing off caked dirt. Do not pack stakes or poles inside your tent. Use separate storage bag.
- STAKES SHOULD BE REMOVED BY PULLING ON THE STAKE ITSELF. NEVER PULL ON THE TENT FABRIC OR TENT STAKE LOOP TO REMOVE STAKE.
- TENT POLES SHOULD NOT BE LEFT TELESKOPED TOGETHER DURING STORAGE.



exponent™

3600 N. Hydraulic • Wichita, Kansas 67219
1-800-835-3278 • www.coleman.com